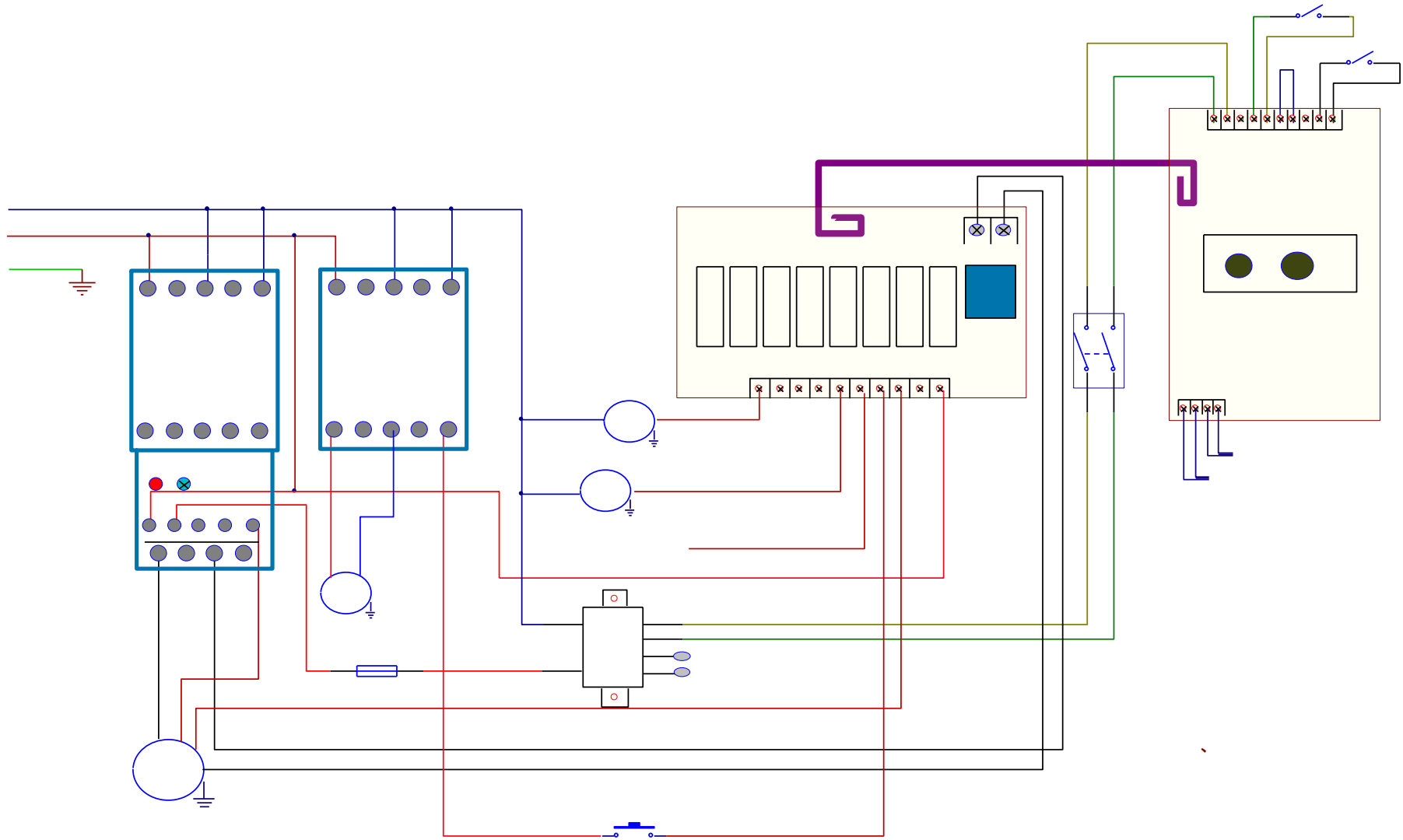
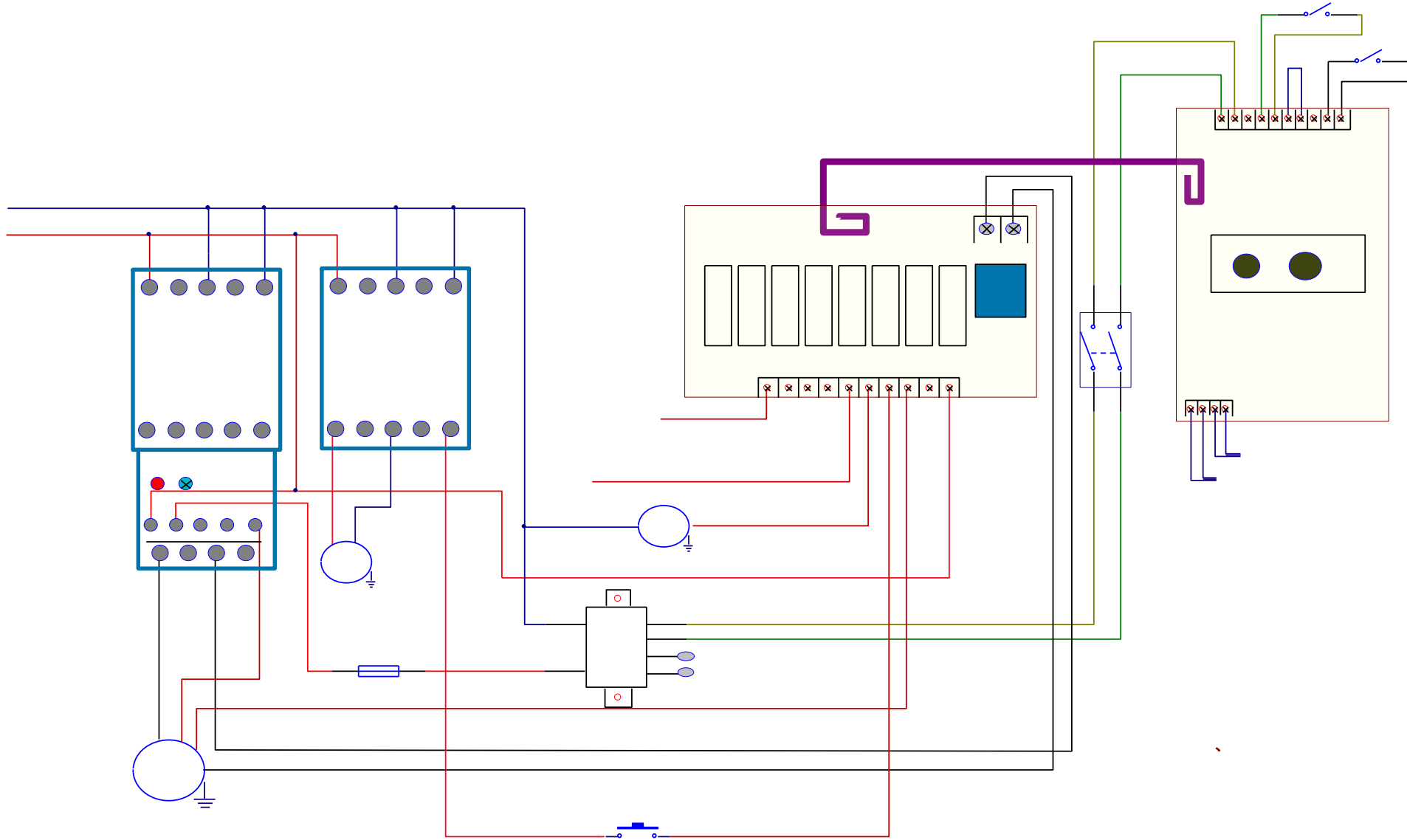


SPARE PARTS LIST MODEL 6248

1. Electrical Drawing and Components



SPARE PARTS LIST MODEL 6248



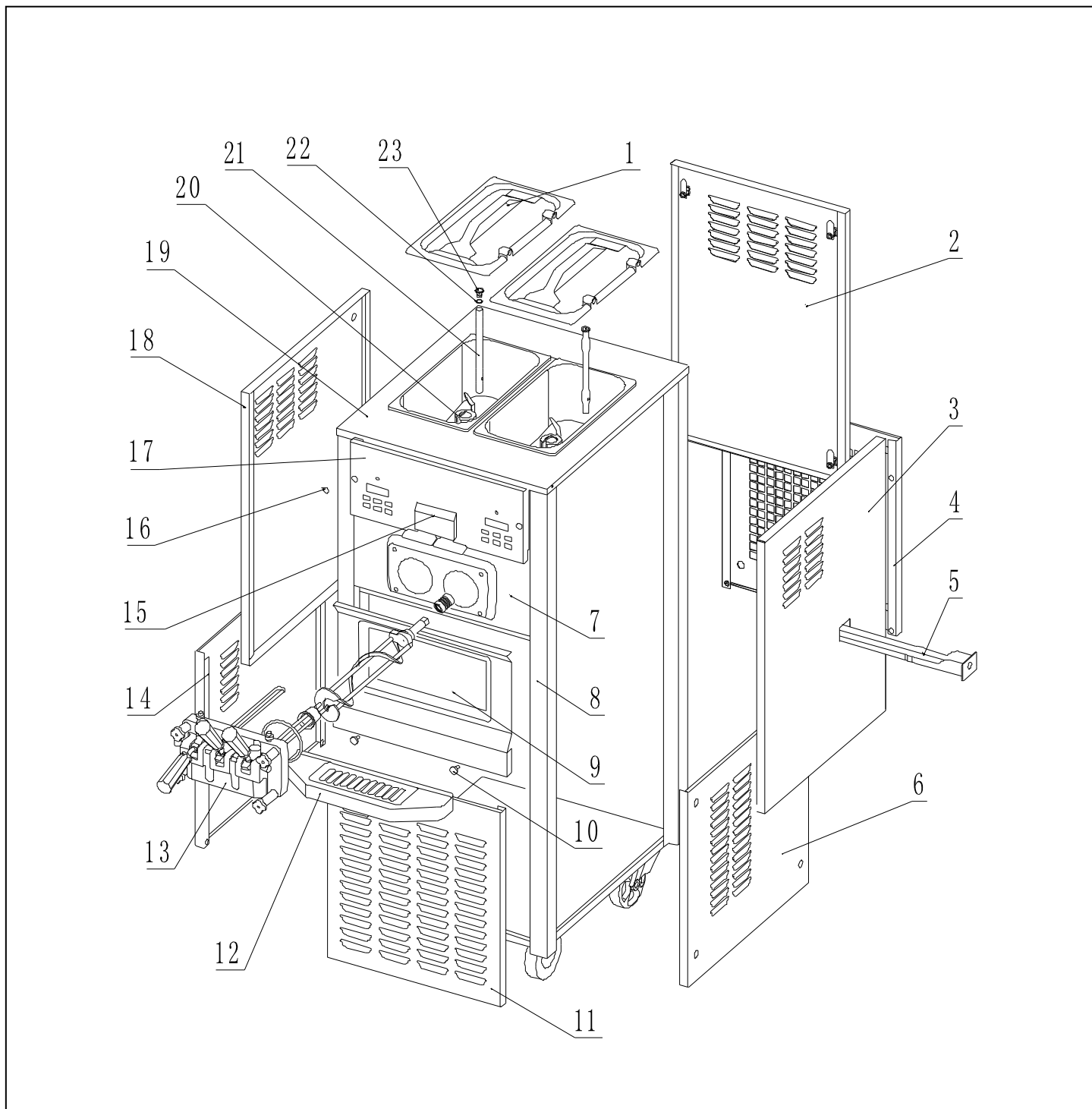
SPARE PARTS LIST MODEL 6248

1. Electrical Drawing and Components

Item	New Part #	QTY.	Description	Price
M1	3.3.01.05.001	2	Motor – Beater 900W/50HZ	██████████
M2	3.2.01.02.003	2	Compressor – NJ2192GK	██████████
M3	3.2.03.03.002	1	Fan Motor - Main	██████████
M4	3.2.01.01.001	1	Compressor – Mix	██████████
M5	3.2.03.01.001	1	Fan Motor - Mix	██████████
M6	3.3.01.01.001	2	Agitator Motor	██████████
JR	3.1.01.02.010	2	Thermal Overload Relay	██████████
KM1	3.1.01.01.010	2	Contactor of Motor	██████████
KM2	3.1.01.01.010	2	Contactor of Compressor	██████████
T	3.1.01.04.002	2	Transformer	██████████
LC/GT	3.1.02.13.020	4	Thermostat PT100	██████████
P	3.1.03.03.003	2	Power Switch	██████████
PC1	2.2.1.01.0007	2	Power Board	██████████
PC2	2.2.1.01.0009	2	Microprocessor Control Board	██████████
S4	3.1.03.01.004	2	Switch - Draw	██████████
S5	3.1.03.04.009	2	Indicator “Mix Low”	██████████
S1	3.2.04.06.004	2	Pressure Switch – Main Compressor	██████████
F	3.1.02.08.002	2	Fuse	██████████

SPARE PARTS LIST MODEL 6248

2. Final Assembly



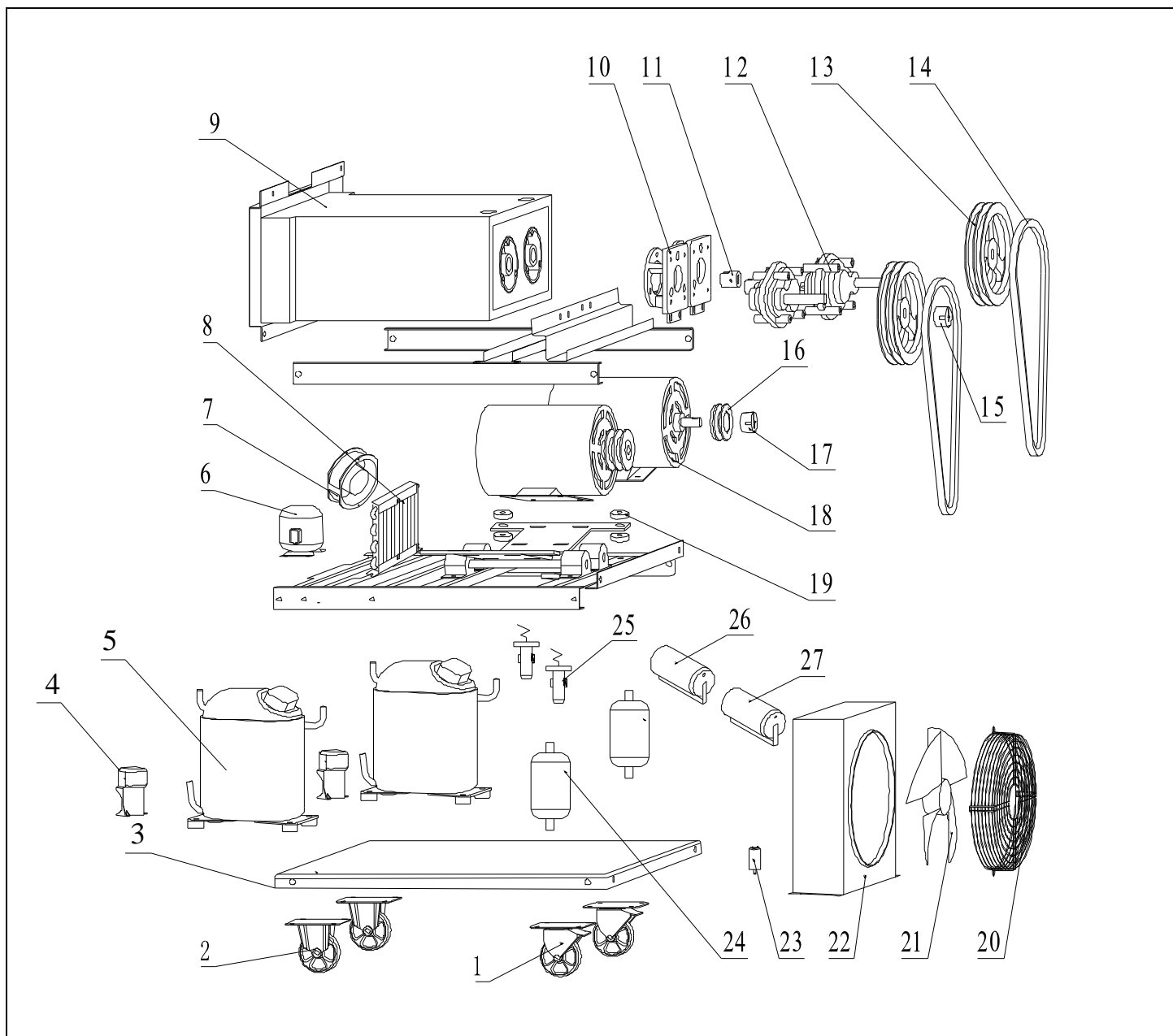
SPARE PARTS LIST MODEL 6248

2. Final Assembly

Item	New Part #	QTY.	Description	Price
1	3.4.03.01.004	2	Top Cover	██████████
2	2.3.4.14.001	1	Panel - Upper Rear	██████████
3	2.3.4.21.001	1	Panel - Upper Right	██████████
4	2.3.4.15.001	1	Panel - Lower Rear	██████████
5	3.4.04.02.001	1	Rear Drip Tray	██████████
6	2.3.4.22.001	1	Panel - Lower Right	██████████
7	2.1.1.06.0002	1	Cylinder Assembly	██████████
8	2.3.4.09.011	4	Pillar	██████████
9	2.3.4.16.002	1	Panel - Middle Front	██████████
10	3.6.39.004	2	Bolt	██████████
11	2.3.4.17.004	1	Panel - Lower Front	██████████
12	3.4.04.01.002	1	Drip Pan	██████████
13	2.1.1.15.0001	1	Dispensing Door Assembly	██████████
14	2.3.4.22.001	1	Panel - Lower Left	██████████
15	3.4.07.07.003	1	Cover of Spigot Switch	██████████
16	3.4.07.01.001	6	Snapper	██████████
17	2.3.4.07.005	1	Panel - Upper Front	██████████
18	2.3.4.19.004	1	Panel -Upper Left	██████████
19	2.1.1.02.0002	1	Hopper Assembly	██████████
20	2.1.4.02.012	2	Blade – Agitator (Optional)	██████████
21	2.1.3.39.0002	2	Feed Tube	██████████
22	3.4.08.01.028	2	Seal - Plug of Feed Tube	██████████
23	2.1.3.23.0001	2	Plug – Feed Tube	██████████

SPARE PARTS LIST MODEL 6248

3. Inside



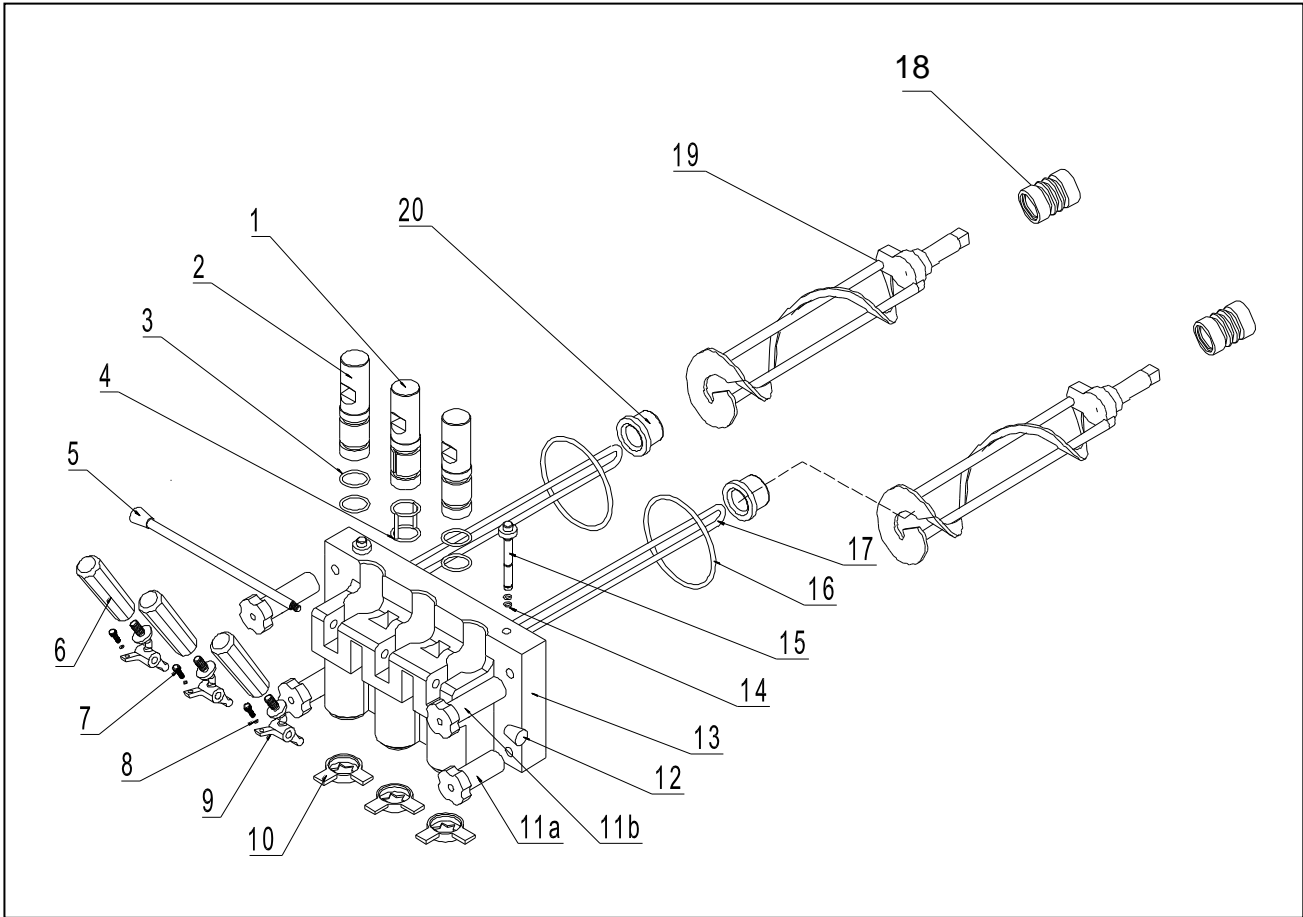
SPARE PARTS LIST MODEL 6248

3. Inside

Item	New Part #	QTY.	Description	Price
1	3.3.05.02.001	2	Caster- Swivel	██████████
2	3.3.05.01.001	2	Caster- Fixed	██████████
3	2.1.1.17.0007	1	Chassis	██████████
4	3.2.01.04.006	2	Accessories – Compressor	██████████
5	3.2.01.02.003	2	Compressor – NJ2192GK	██████████
6	3.2.01.01.001	1	Compressor – Mix	██████████
7	3.2.03.01.001	1	Fan Motor - Mix	██████████
8	3.2.02.01.001	1	Condenser – Mix	██████████
9	2.1.1.06.0003	1	Cylinder Assembly	██████████
10	2.1.3.15.0002	2	Mount – Gear Box	██████████
11	3.3.02.04.001	2	Coupling – Drive	██████████
12	3.3.02.01.002	2	Gear Box	██████████
13	3.3.04.02.007	2	Pulley – Gear Box	██████████
14	3.3.03.01.013	4	Belt – Beater Motor	██████████
15	3.3.04.01.005	2	Bushing – Gear Box Pulley	██████████
16	3.3.04.02.001	2	Pulley - Motor	██████████
17	3.3.04.01.005	2	Bushing – Motor Pulley	██████████
18	3.3.01.05.001	2	Motor – Beater 900W/50HZ	██████████
19	3.4.08.04.002	8	Rubber Gasket	██████████
20	3.2.03.03.002-1	1	Fan motor cover	██████████
21	3.2.03.03.002	1	Fan Motor - Main	██████████
22	3.2.02.01.008	1	Condenser – Main	██████████
23	3.2.03.03.002-2	1	Capacitor -Fan Motor Main	██████████
24	3.2.04.05.003	1	Filter Dryer – Main	██████████
25	3.2.04.01.001	2	Thermostatic Expansion Valve	██████████
26	3.1.02.22.003	2	Running Capacitor – Motor 20uf	██████████
27	3.1.02.22.005	2	Starting Capacitor –Motor 200uf	██████████

SPARE PARTS LIST MODEL 6248

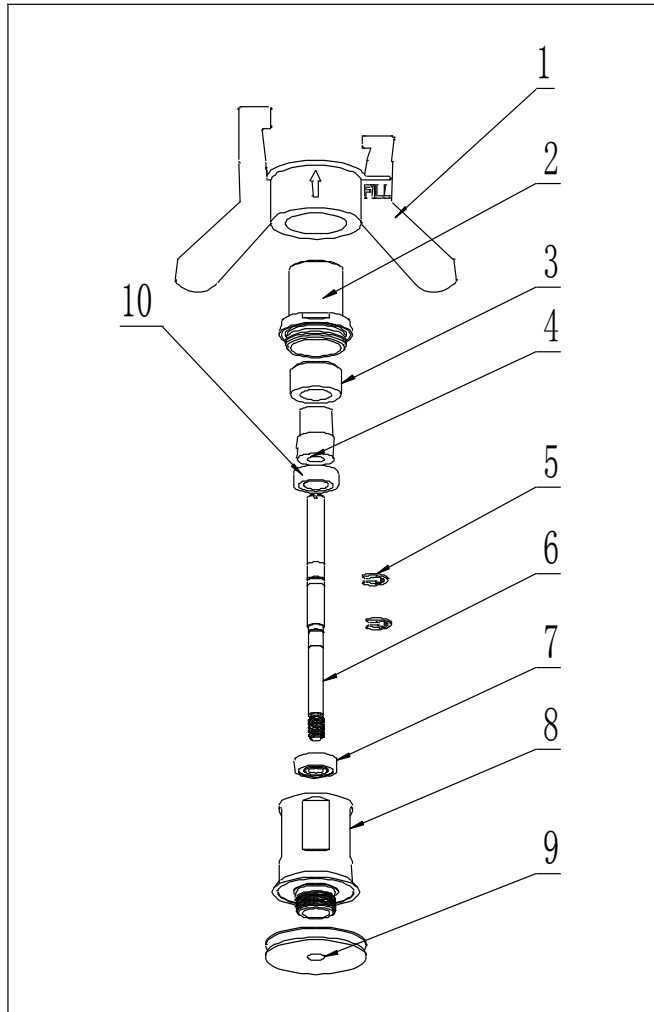
4. Dispensing Door and Beater



Item	New Part #	Description	Qty.	Unit Price
1	2.1.3.01.0009	Draw Valve - Middle	1	██████████
2	2.1.3.02.0003	Draw Valve - Side	2	██████████
3	3.4.08.01.011	Seal – Side Draw Valve	4	██████████
4	3.4.08.01.015	Seal - Middle Draw Valve	1	██████████
5	2.1.3.27.0002	Dispensing Retention	1	██████████
6	3.4.05.01.011	Dispensing Handle	3	██████████
7	3.6.39.009	Screw - Handle	3	██████████
8	3.4.08.01.012	O-ring $\phi 3 \times 1.5$	3	██████████
9	2.1.3.26.0001	Dispensing Handle Seat	3	██████████
10	3.4.05.03.002	Design Cap	3	██████████
11a	3.4.05.02.002	Attaching Nuts Short	2	██████████
11b	3.4.05.02.001	Attaching Nuts Long	2	██████████
12	2.1.3.27.0025	Retention Nut	1	██████████
13	2.1.3.14.0003	Dispensing Door	1	██████████
14	3.4.08.01.013	O-ring - Plug-Prime $\phi 9 \times 1.9$	2	██████████
15	2.1.3.02.0015	Plug-Prime	2	██████████
16	3.4.08.02.007	Seal of Dispensing Door	2	██████████
17	2.1.3.22.0002	Beater Rod	2	██████████
18	3.4.07.05.001	Seal – Beater Shaft	2	██████████
19	2.1.1.09.0003	Beater	4	██████████
20	3.4.01.03.001	Front Bearing	2	██████████

SPARE PARTS LIST MODEL 6248

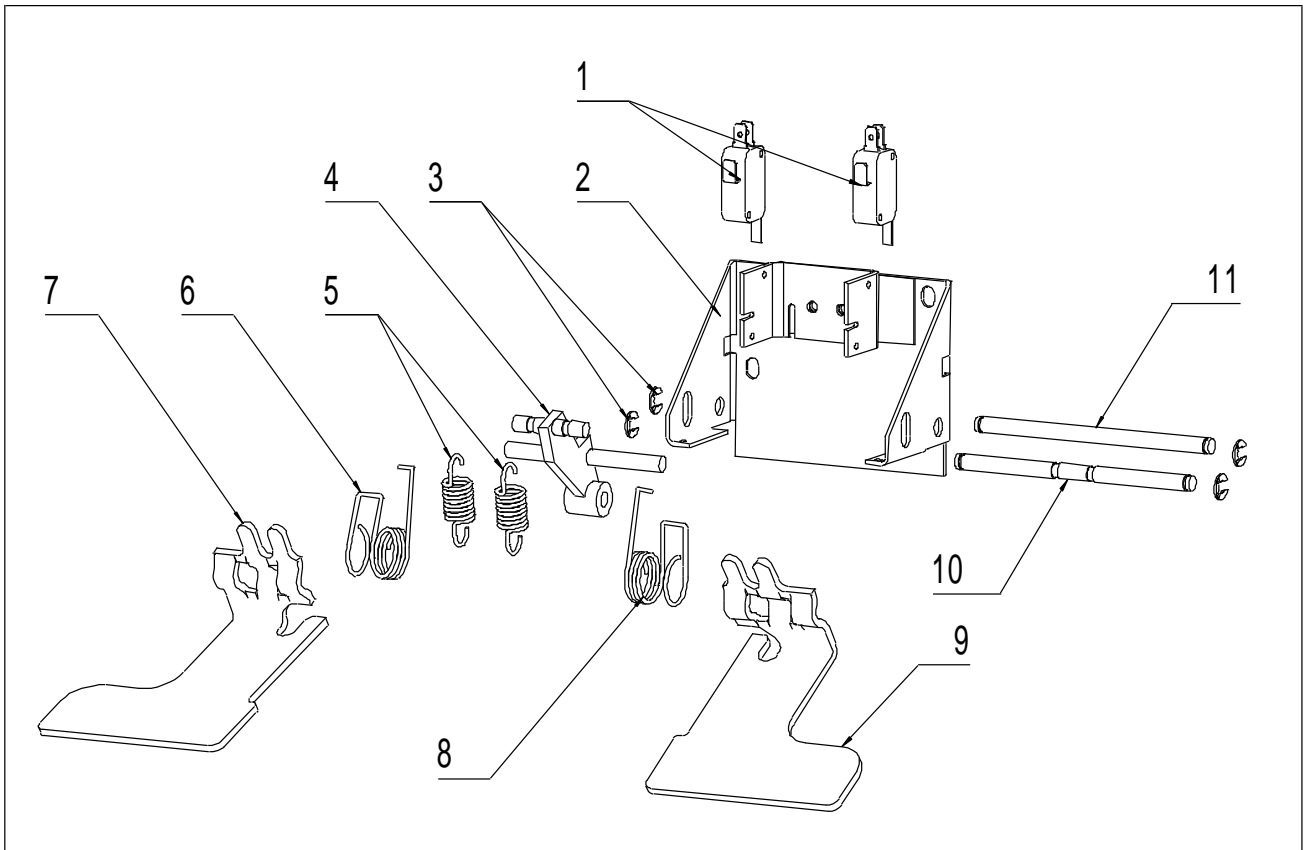
5. Agitator (Optional)



Item	New Part #	Description	Qty.	Unit Price
1	2.1.4.02.012	Blade - Agitator	2	██████████
2	2.1.4.02.005	Cap – Drive Shaft Housing	2	██████████
3	2.1.4.02.010	Magnet	2	██████████
4	2.1.4.02.003	Shaft – Magnet	2	██████████
5	3.6.34.003	Lock Ring	4	██████████
6	2.1.4.02.009	Shaft - Spin	2	██████████
7	3.3.02.07.004	Bearing - Lower	2	██████████
8	2.1.4.02.001	Drive Shaft Housing	2	██████████
9	2.1.4.02.006	Pulley - Agitator	2	██████████
10	3.3.02.07.003	Bearing - Upper	2	██████████

SPARE PARTS LIST MODEL 6248

6. Draw Switch



Item	New Part #	Description	Qty.	Unit Price
1	3.1.03.01.004	Switch - Draw	2	██████████
2	2.1.1.19.0010	Bracket – Draw Switch	1	██████████
3	3.6.34.002	Lock Ring	4	██████████
4	2.1.1.19.0006	Frame - Spring	1	██████████
5	3.6.02.002	Spring	2	██████████
6	3.6.01.002	Spring - Return Left	1	██████████
7	2.1.4.05.011	Arm - Return Left	1	██████████
8	3.6.01.012	Spring - Return Right	1	██████████
9	2.1.4.05.012	Arm - Return Right	1	██████████
10	2.1.4.05.001	Rod – Front	1	██████████
11	2.1.4.05.002	Rod - Rear	1	██████████

SPARE PARTS LIST MODEL 6248

7. Accessories

Item	New Part #	Description	Qty.	Unit Price
1	3.7.15.001	Lubricant	1	██████████
2	Sanitizer	Sanitize Powder	1	██████████
3	3.4.07.01.002	Pick Tool - O-Ring Removal	1	██████████
4	Kit-6248	Tune up Kit	1	██████████
5	3.7.24.001	Brush - White	1	██████████
6	3.7.24.002	Brush - φ25×70 White	1	██████████
		Brush - φ38×80 White	1	██████████
		Brush - φ25×60 Black	1	██████████
		Brush - φ3×25 White	1	██████████
		Brush - φ10×25 Double	1	██████████
		Brush - φ13×77 White	1	██████████
7	2.3.4.34.002	Air Chute	1	██████████
8	3.7.25.001	Pail	1	██████████